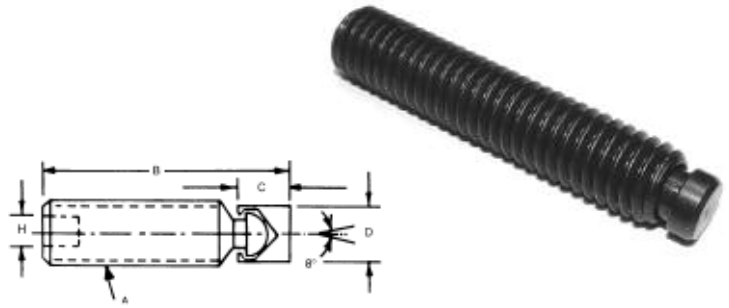


## Hex Socket Toggle Screws

- ▶ Heat treated steel, black oxide finish
- ▶ Pad swivels 8° in any direction for clamping on uneven surfaces
- ▶ Hex socket for clamping in confined area

PART #	Thread				
	A	B	C	D	H
HST-2507	1/4-20	3/4	3/16	.185	1/8
HST-2510	1/4-20	1	3/16	.185	1/8
HST-3115	5/16-18	1-1/2	15/64	.240	5/32
HST-3707	3/8-16	3/4	9/32	.293	3/16
HST-3715	3/8-16	1-1/2	9/32	.293	3/16
HST-3720	3/8-16	2	9/32	.293	3/16
HST-5020	1/2-13	2	3/8	.400	1/4
HST-5025	1/2-13	2-1/2	3/8	.400	1/4
HST-6220	5/8-11	2	7/16	.506	5/16
HST-6230	5/8-11	3	7/16	.506	5/16

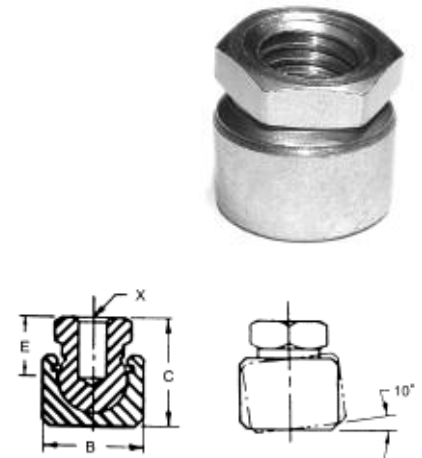


- ▶ Zinc-plated steel
- ▶ Available with steel pad or Delrin® pad
- ▶ 10 degree swivel
- ▶ Do not exceed load rating
- ▶ Metric sizes have black oxide finish

## Toggle Pads

		INCH				Steel Lbs.	Delrin Lbs.
Steel Pad PART #	Delrin Pad PART #	Thread X	B	C	E	Load	Load
BTP-1	BTP-10	1/4-20	1/2	5/8	5/16	3900	360
BTP-2	BTP-20	5/16-18	9/16	3/4	3/8	5900	360
BTP-3	BTP-30	3/8-16	5/8	13/16	3/8	6400	570
BTP-4	BTP-40	1/2-13	3/4	15/16	7/16	7000	570
BTP-5	BTP-50	5/8-11	7/8	1	7/16	10000	1000
BTP-6	BTP-60	3/4-10	1-1/16	1-11/32	5/8	13500	1300
BTP-7	BTP-70	1-8	1-3/8	1-53/64	13/16	18750	1570

		METRIC				Steel Lbs.	Delrin Lbs.
PART #	Thread X	B	C	E	Load	Load	
BTP-208	M8 x 1.25	16mm	19mm	9mm			
BTP-210	M10 x 1.5	20	22	11			
BTP-212	M12 x 1.75	24	25	12			
BTP-216	M16 x 2.0	30	34	16			



- ▶ Stainless steel
- ▶ Available with stainless steel or Delrin® pad
- ▶ 10 degree swivel
- ▶ Do not exceed load rating

## Stainless Steel Toggle Pads

Stainless Pad PART #	Delrin Pad PART #	Thread X	B	C	E	Stainless Load	Delrin Load
BTP-1SS	BTP-10SS	1/4-20	1/2	5/8	5/16	5000	360
BTP-2SS	BTP-20SS	5/16-18	9/16	3/4	3/8	7600	360
BTP-3SS	BTP-30SS	3/8-16	5/8	13/16	3/8	8250	570
BTP-4SS	BTP-40SS	1/2-13	3/4	15/16	7/16	9000	570
BTP-5SS	BTP-50SS	5/8-11	7/8	1	7/16	12900	1000
BTP-6SS	BTP-60SS	3/4-10	1-1/16	1-11/32	5/8	17400	1300
BTP-7SS	BTP-70SS	1-8	1-3/8	1-53/64	13/16	24200	1570

